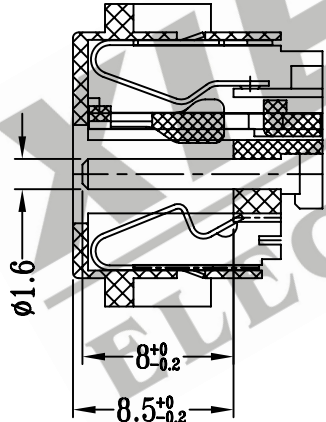
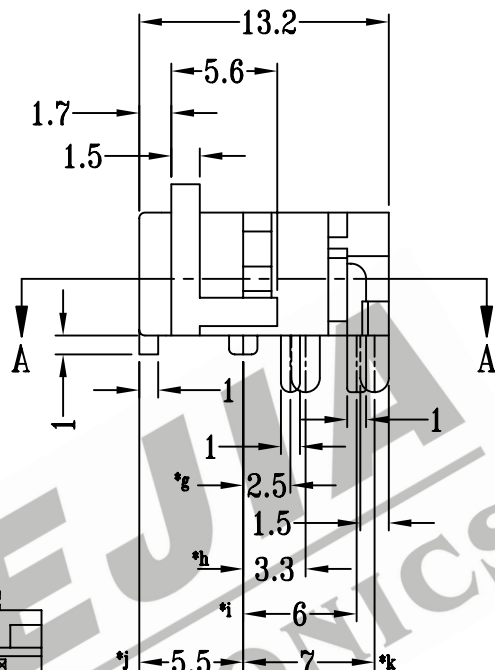
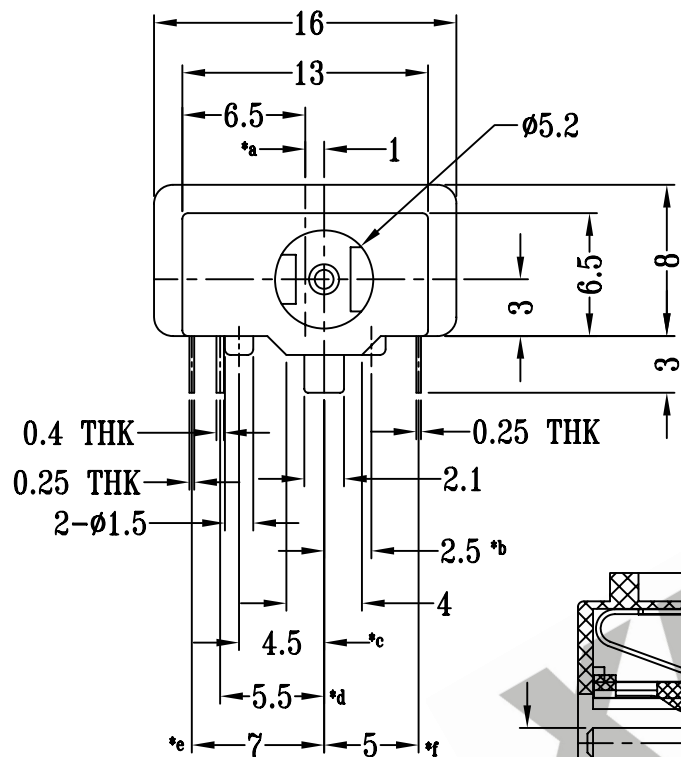
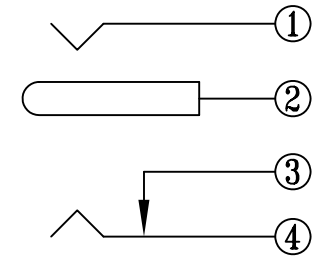


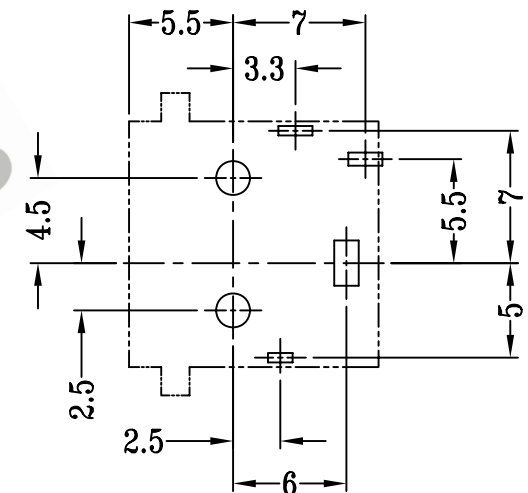
CAD FILE:



SECTION A-A



SCHEMATIC



P.C.B LAYOUT

注：“*”表示关键尺寸（11个）

8					TOLERANCE	SHENZHEN XIEJIA ELECTRONICS CO.,LTD.				
7					UNLESS SPECIFIED					
6	POSITION PLATE	POM	1	BLACK	WITHIN: 1.5±0.1mm	ISSUE	DATE	DESCRIPTIONS		APPD.
5	SPRING TERMINAL B	PBS STRIP	1	Ag PLATED OVER Ni PLATED	OVER : 1.5±0.2mm					
4	TERMINAL C	BRASS STRIP	1	Ag PLATED OVER Ni PLATED	TITLE : DC POWER JACK		UNIT : MM	DRWG NO.: XJ-DR-DS415-00		
3	SPRING TERMINAL A	PBS STRIP	1	Ag PLATED OVER Ni PLATED	MODEL: DS-415		SCALE: 5:2	DWN.	ZHOUYU	2005-12-5
2	CASE	NYLON+94V0+F.G	1	BLACK	ALL MATERIALS MUST BE COMPLIANT TO ROHS			CHK'D	FANGYING	2005-12-5
1	PLUG PIN	BRASS	1	Ag PLATED OVER Ni PLATED				APPD.	KANGXINAN	2005-12-5
NO.	PART NAME	MATERIAL	Q'TY	FINISHING						